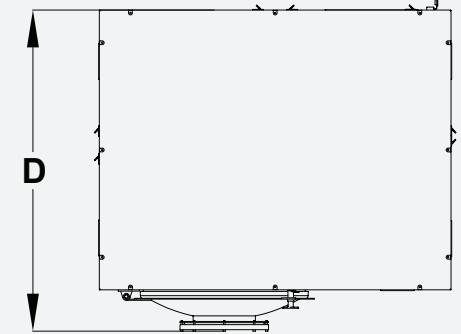
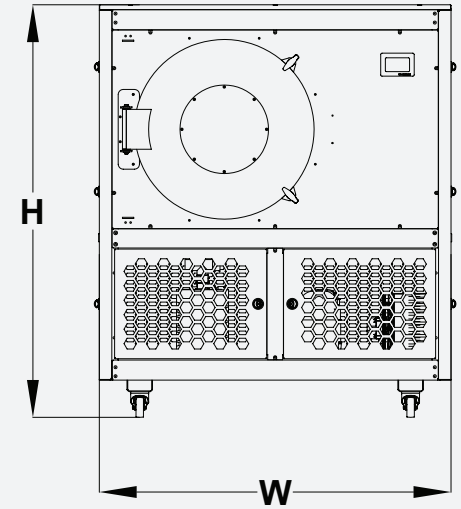




FD35
FD35
FD35



FD35

Ice Capacity (kg/lot)	35 kg	Number of Product Trays	11	Compressor	Embraco
Wet Product Loading (kg/lot)	20 / 25	Tray Dimensions (mm)	355x936	Vacuum Pump	Baosi
Machine Dimensions (w*d*h)(mm) (**)	1410x1288x1654	Tray Depth (mm)	3,7	Blower	None
Machine Settlement Area (m ²) (**)	1,8	Total Tray Area m ²	20	Remote Tracking System	None
Machine Platform Area (m ²) (*)	-	Number of Product Loading Cars	No	Chamber	AISI 304
Ice Condenser Temperature (°C)	-45	Rail System	None	Tray Material	AISI 304
Heat Conduction	Convection	IQF (Individual Quick Freezing)	No	Material of Heating Racks	Aluminum
Rack Temperature (°C)	max 70	Refrigerant	R404A		
Product Cooling Place	Within itself or in -40 chamber	Cooling Method	Gas		
Product Cooling Temperature (°C)	-32	Final Vacuum Level (Pa)	30 ≤		
Number of Racks	11	Defrost System	Automatic		
Rack Dimensions (mm)	378x950	Power Consumption (kWh)	4		
Rack Clearance (mm)	38	Circle Dimension (m)	0,65		
Liquid Used in Heating Racks	Electrical Heater	Software	Unique electronic card		

(*) As a recommendation, the recommended area may vary depending on the number of machines and layout.

(**) Represents only the seating area of the machine. The cover sweeping area and the spaces between the machine and other devices are not included.

